

Engineering News



ALTEC Lansing Corporation
A SUBSIDIARY OF LING-TEMCO-VOUGHT INC

1515 S. Manchester Avenue,

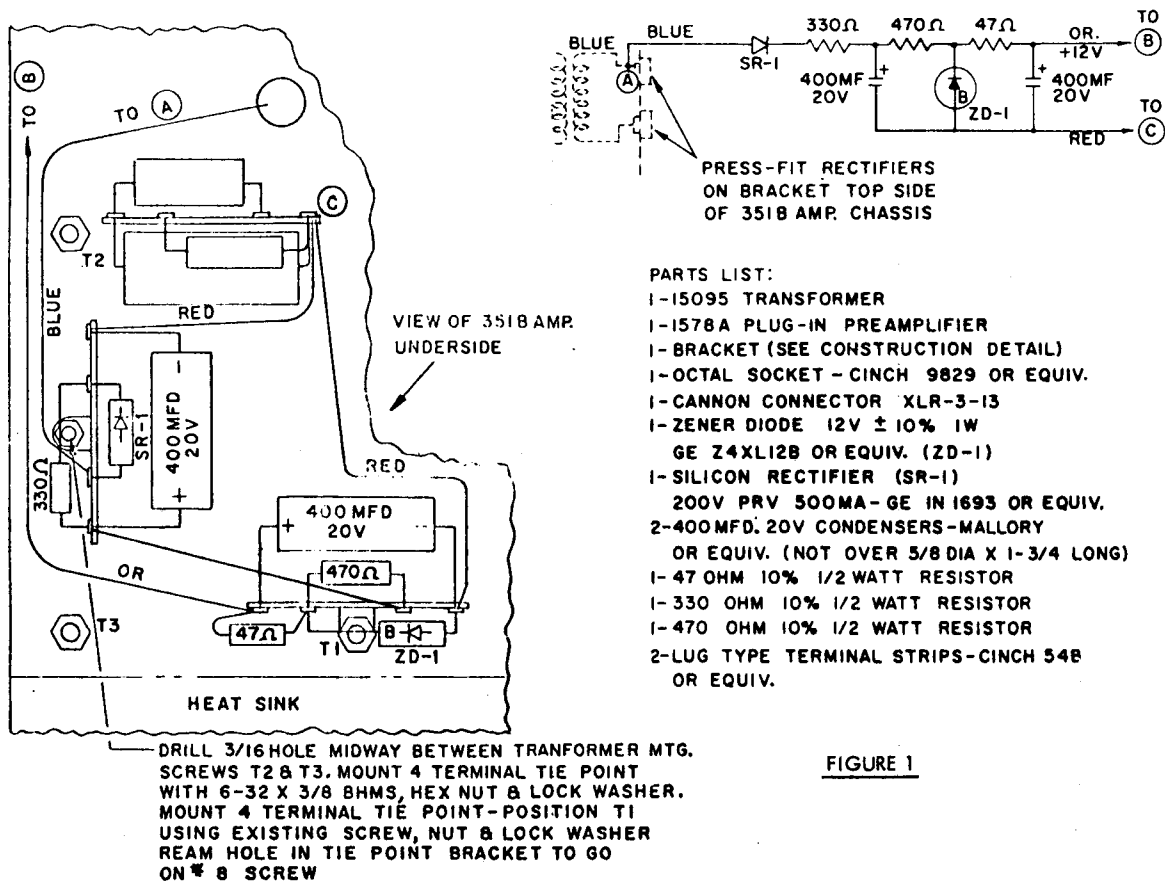
Anaheim, California

Technical Letter No. 146

ALTEC 351B MODIFICATION FOR MICROPHONE OPERATION, USING ALTEC 1578A PREAMPLIFIER

The Altec 1578A transistor plug-in preamplifier may be used with the Altec 351B power amplifier for operating a ^{low} high-impedance microphone; the 351B must be modified, as illustrated in Figures 1 through 3.

Figure 1 shows the additional circuitry required, together with the proper placement of the individual components on the underside of the 351B chassis. Figure 2, the connections to the additional required microphone socket (Cannon XLR-3-13) and preamplifier socket (standard octal). Figure 3 illustrates the bracket needed to mount the two sockets and also shows the completed bracket installed in the lower right corner of the 351B (directly over the socket for the 15095 line transformer).



- PARTS LIST:
- 1-15095 TRANSFORMER
 - 1-1578A PLUG-IN PREAMPLIFIER
 - 1-BRACKET (SEE CONSTRUCTION DETAIL)
 - 1-OCTAL SOCKET - CINCH 9829 OR EQUIV.
 - 1-CANNON CONNECTOR XLR-3-13
 - 1-ZENER DIODE 12V ± 10% 1W
GE Z4XL12B OR EQUIV. (ZD-1)
 - 1-SILICON RECTIFIER (SR-1)
200V PRV 500MA - GE IN 1693 OR EQUIV.
 - 2-400MFD. 20V CONDENSERS - MALLORY
OR EQUIV. (NOT OVER 5/8 DIA X 1-3/4 LONG)
 - 1-47 OHM 10% 1/2 WATT RESISTOR
 - 1-330 OHM 10% 1/2 WATT RESISTOR
 - 1-470 OHM 10% 1/2 WATT RESISTOR
 - 2-LUG TYPE TERMINAL STRIPS - CINCH 548
OR EQUIV.

FIGURE 1

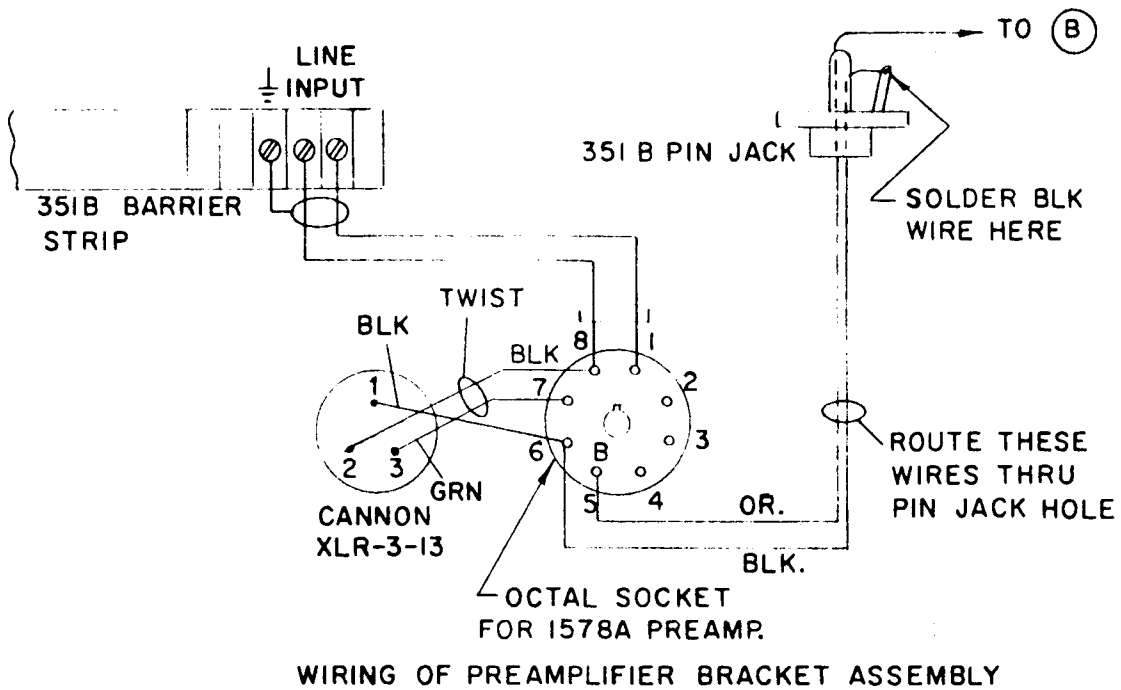


FIGURE 2

