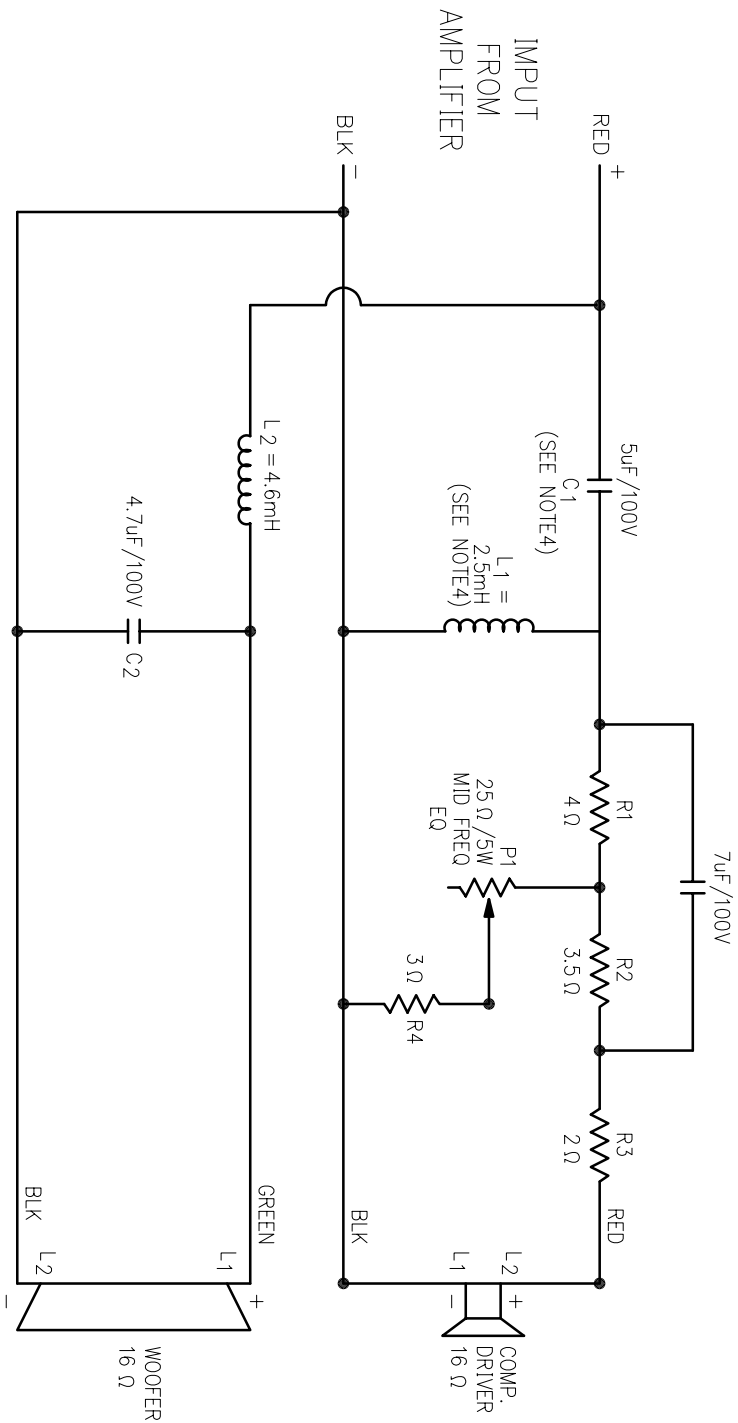
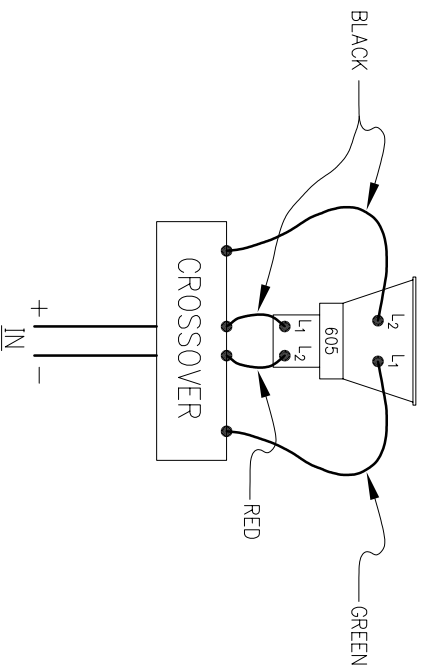


SECOND ORDER BUTTERWORTH, CENTERED AT 1240HZ WITH 15% SPREAD. HIGH PASS f3 AT 1426HZ. LOW PASS AT 1078HZ. NORMAL POLARITY. USE ON 16 OHM ALTEC 605 A & B. PHASE SHIFT BETWEEN SECTIONS AT 1240HZ=140°. ERROR LESS THAN +1.8dB AT 1240HZ.



DRIVER HOOK-UP



NOTES:

- 1) CAPACITORS - HOVLAND MUSICAP
- 2) INDUCTORS - SOLO (CFAC)
- 3) HOOK-UP WIRE - VAMPIRE CCC, 18GA, STRANDED, COLOR AS INDICATED.
- 4) C₁ & L₁ VALUES FOR USE WITH #34852 COPPER VOICE COIL; FOR #20275 ALUMINUM VOICE COIL, INCREASE C₁ TO 6uF & DECREASE L₁ TO 2mH.
- 5) R1 THRU R4 = 10W.