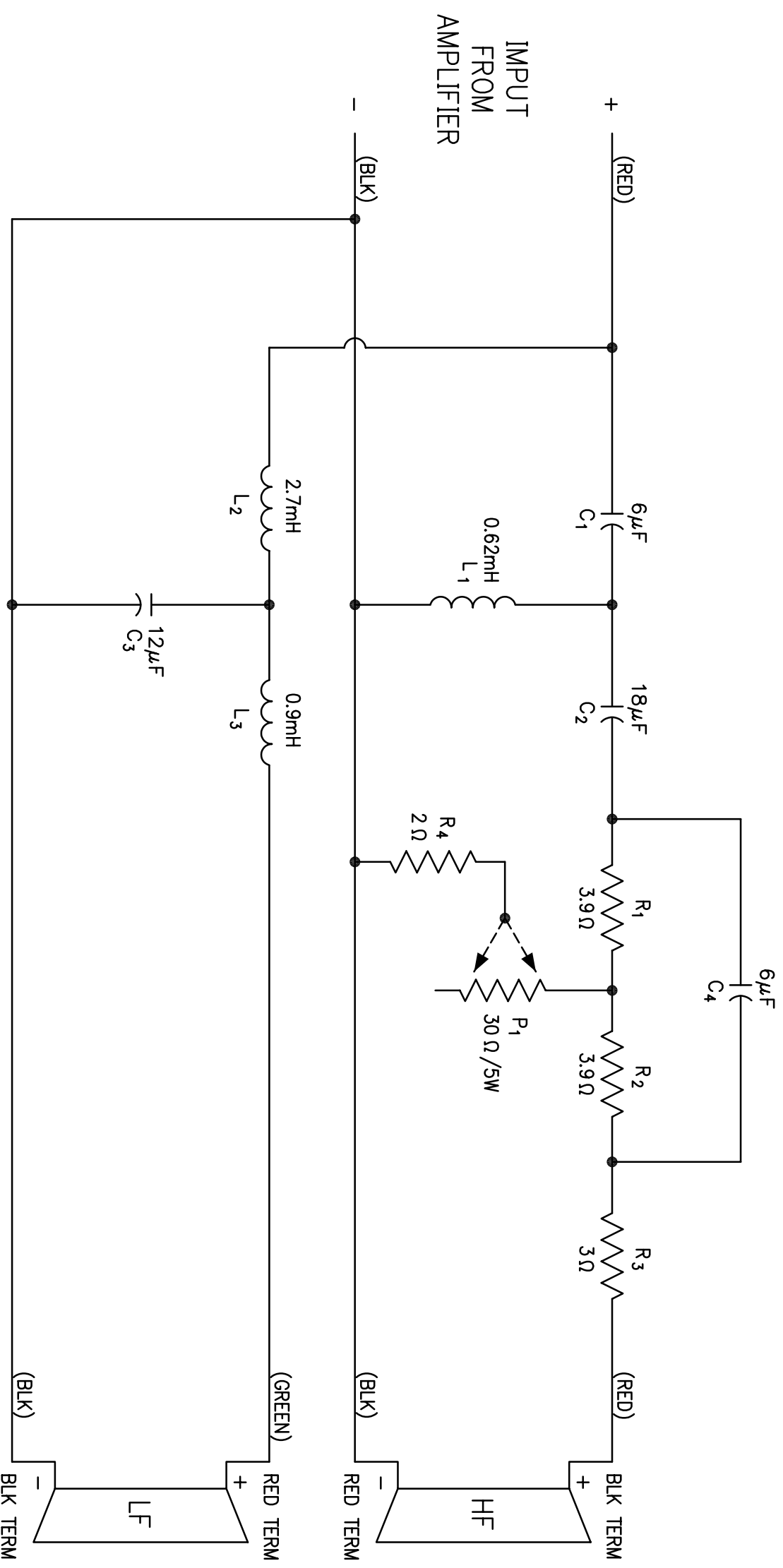


PHASE CORRECT ALTEC MODEL 604-8H NETWORK WITH MID-FREQUENCY EQ. THIRD ORDER BUTTERWORTH CENTERED AT 1500 HZ WITH 20% FREQUENCY SPREAD FOR BOTH HP & LP SECTIONS.



NOTES:

- 1) CAPACITORS - METALIZED POLYPROPYLENE, 100V MIN.
- 2) INDUCTORS - COPPER FOIL AIR CORE, 16 GA. OR LARGER.
- 3) HOOK-UP WIRE - VAMPIRE CCC, 18 GA., STRANDED; COLOR AS INDICATED.
- 4) R₁ THRU R₄ 10W NON-INDUCTIVE.
- 5) P₁ - USE 30Ω LEG OF 8 OR 16 OHM L PAD.
- 6) ACOUSTIC POLARITY OF COMPRESSION DRIVER REVERSED.