

DESCRIPTION

The Altec Lansing model 168B wide angle, paging/talk-back speaker is designed for use in areas where high speech intelligibility is required under adverse ambient noise conditions.

The unique shape of the 168B horn increases horizontal dispersion at the higher frequencies by a diffraction effect, as in an acoustical lens, and also retains the full mouth area which is necessary for good low-frequency reproduction.

Low distortion and extended low-frequency response make the 168B an ideal choice for background music reproduction for both indoor and outdoor applications.

The 168B includes a built-in 70-volt and 25-volt line transformer with six screwdriver selectable wattage taps, with separate 70-volt and 25-volt connections, permitting its use in distributed sound systems on 70-volt and 25-volt lines. A gland nut is provided for weather-tight seal. (Note: For conduit installation, any standard 1/2-inch conduit fitting may be substituted for the gland nut. Retain sealing washer.)

The high impact plastic horn material is non-resonant which helps eliminate sound absorp-

SPECIFICATIONS

Type: Rectangular, reflex, exponential horn with matching throat and driver unit

Power Rating with Band-Limited Pink Noise (500-3000Hz): 32 W

Frequency Response: 350-4200 Hz, ± 6 dB (220 Hz-14.5 kHz max)

Pressure Sensitivity: Measured in the far (free) field with 32 watts input of band-limited pink noise from 500-3000 Hz and calculated to 1 m equivalent (Ref.: 20 μ Pa) 124 dB

Sensitivity As A Microphone: - 26 dBm (Ref.: 10 dynes/cm²)

Distribution Pattern: 120° H \times 80° V

Nominal Voice Coil Impedance: 8 ohms

Transformer Wattage Taps: 32/15/10/5/2.5/1.25 watts (screwdriver selectable)

Insertion Loss: 1 dB maximum

Horn and Housing Material: Light grey, high impact ABS plastic

Diaphragm Material: Fiber-reinforced phenolic

Surface Mounting: Uni-Lok swivel mount

Flush Mounting: Finish drilling of four pre-drilled holes from rear side on four corners of horn and secure the unit from the front side.

Dimensions: 7 1/8" H \times 14 3/8" W \times 12 1/2" D (18.1 cm H \times 36.5 cm W \times 31.8 cm D)

Shipping Weight: 6 1/2 lbs. (2.9 kg)

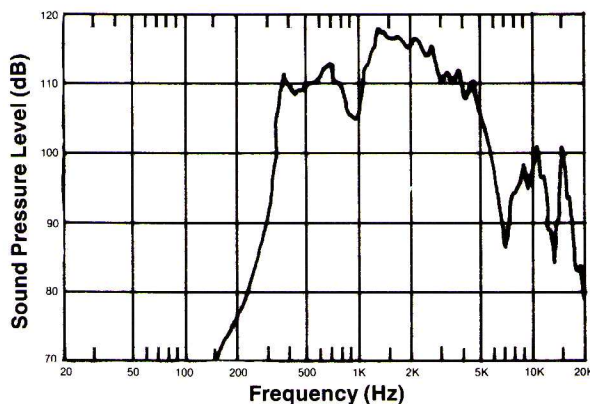
Replacement Diaphragm: Spare Part #353

tion and prevents spurious noise. This also eliminates the "Tinny" sound associated with metal horns. 168B speakers are durable and resistant to extremes of environment.

Altec Lansing's exclusive Uni-Lok swivel mount allows each 168B speaker to be precisely positioned and securely locked in place. The

Uni-Lok is furnished with a sturdy mounting plate, but may be fitted on any standard 1/2" pipe. Flush mounting the 168B is accomplished by finish drilling the four predrilled holes from the rear side on the four corners of the horn and inserting No. 8 machine screw toggle bolts, or equivalent size wood or metal screws securing the unit from the front side.

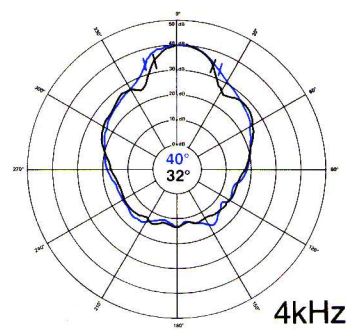
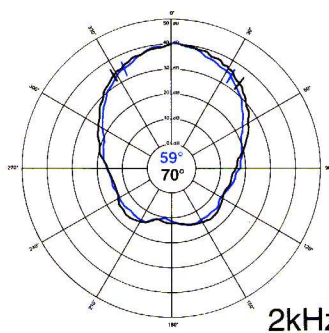
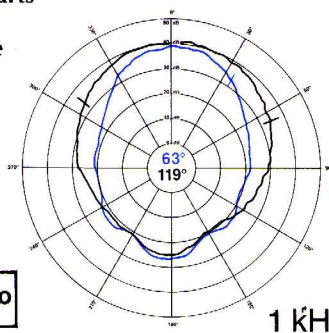
Unequalized Frequency Response
On-axis, one watt equals E^2/Z min,
3.16 meter measurement distance
referred to one meter.



Polar Response Charts
(using 1/3 octave
bands of pink noise
rotated about the
apparent apex)

VERTICAL

HORIZONTAL



ARCHITECT'S AND ENGINEER'S SPECIFICATIONS

The variable power paging/talk-back speaker shall be Altec Lansing Model 168B or equal. This horn shall meet the following criteria. Horn type: rectangular, reflex, exponential with matching throat and driver unit. Frequency response: 220 Hz to 14.5 kHz. Power handling capacity: 32 watts continuous pink noise, band-limited from 500 Hz to 3000 Hz. Dispersion angle: 120° H × 80° V. Pressure sensitivity: 124 dB SPL when measured at 1 m on axis with 32 watts input of pink noise, band-limited from 500 Hz to 3000 Hz (Ref.: 20 μPa). Sensitivity as a microphone, -26 dBm when referenced to 10 dynes/cm². A Uni-Lok swivel mount, capable of being positioned at any vertical angle from 0° to 90°, and at any horizontal angle through 360°, shall be included with each speaker. The

Uni-Lok shall fit standard 1/2" pipe thread. Flush mounting: shall comprise finish drilling of four predrilled holes from the rear side on the four corners of the horn and inserting No. 8 machine screw toggle bolts or equivalent size wood or metal screws securing unit from the front side. 70-volt impedance taps shall be 161/335/500/1000/2000/4000 ohms. 25-volt impedance taps shall be 20/42/63/125/250/500 ohms. Wattage taps shall be 32/15/10/5/2.5/1.25 watts, selectable with screw-driver switch. Input terminals and wattage tap positions shall be identified. A gland nut shall be provided for weather-tight seal. Horn and housing color: light grey. Diaphragm material: fiber-reinforced phenolic. Dimensions: 7 1/8" H × 14 3/8" W × 12 1/2" D. Shipping weight: 6 1/2 lbs.



P.O. BOX 26105, OKLAHOMA CITY, OK 73126-0105, U.S.A.

© 1987 ALTEC LANSING CORPORATION